

TI - Pipe Inserts

Light Gauge Galvanized Piping System – Pipes and Silencers



Specifications

Material: Galvanized steel

Surface: Z275

Length: 0.9 m

Minimum inserted length: 150 mm

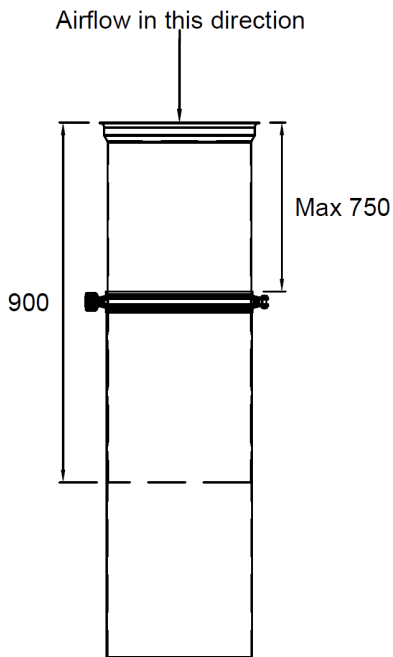
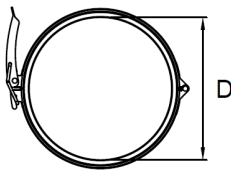
Description

Pipe inserts have laser welded seam and fit inside Ordinary pipes.

Pipe inserts are used in combination with 750 mm and 1500 mm long pipes to increase the pipe length up to 750 mm.

Inclusive of Quicklock with EPDM seal.

Pipe inserts have a beading one end and is smooth on the inserted end.



D (mm)	Part no.	t (mm)	Weight (kg)
80	01140080	0.75	1.5
100	01140100	0.75	1.8
120	01140120	0.75	2.1
125	01140125	0.75	2.2
140	01140140	0.75	2.4
150	01140150	0.75	2.7
160	01140160	0.75	2.8
180	01140180	0.75	3.2
200	01140200	0.75	3.5
225	01140225	0.75	4.0
250	01140250	0.75	4.4
275	01140275	0.75	4.8
300	01140300	0.75	5.2
315	01140315	0.75	5.7
350	01140350	0.75	6.1
400	01140400	0.90	7.0